

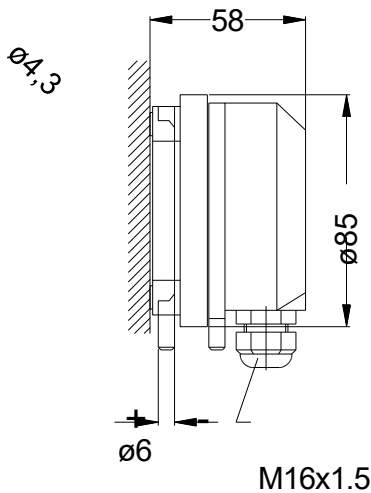
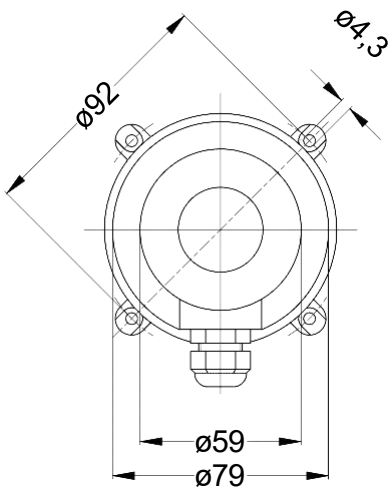
# DIFFERENTIAL PRESSURE SWITCH DS



- Diaphragm measuring unit
- Smallest Setting range from 20...300 Pa
- Switching point adjustable
- Protection class IP 54

Adjustable Differential pressure switch for monitoring from non- aggressive Gases. Adjustment knob with reference scale.

## Dimensions



58

∅6

- Measuring range selection:
- Ambient temperature: -20 °C to +85 °C
- Switching capacity: Until max. 1.0 A (0.4) / 250 Vac Changer
- Contact type:

- Housing: Polycarbonate case with transparent cover light gray similar RAL 7035 for Wall construction ∅ 85 mm, 58 mm deep
- Dimensions: M16x1.5
- Weight: Approx. 160 G
- Protection class: IP 54 after EN 60529

- Electric Connections: AMP flat plug 6.3 mm x 0.8 mm
- Pressure connections: Hose nozzles 6 mm ∅ , 16 mm long
- Cable entry: M 16 x 1.5

## ACCURACY / ERROR LIMITS:

- Tolerance on upper and lower Switching pressure: ± 15 % in vertical installation position

## TECHNICAL SPECIFICATIONS:

- Operating mode: Measurement mode Air
- Measuring material: Sensor: Diaphragm measuring mechanism Pa
- Unit of measurement: 20 to 300 Pa - Switching differential 10 Pa; 30 to 400 Pa - Switching differential 15 Pa; 50 to 500 Pa - Switching differential 20 Pa; 200 to 1000 Pa - Switching differential 100 Pa; 500 to 2500 Pa - Sound difference 150 Pa; 1000 to 5000 Pa - Sound difference 250 Pa
- Setting range: Pa By rotary switch

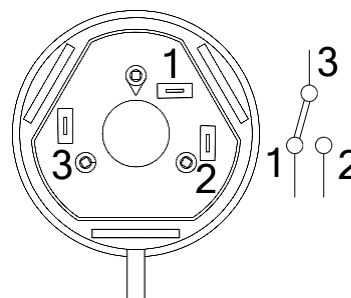
## PHYSICALLY:

- Housing: Polycarbonate case with transparent cover light gray similar RAL 7035 for Wall construction ∅ 85 mm, 58 mm deep
- Weight: Approx. 160 G
- Protection class: IP 54 after EN 60529

## CONFORMITY:

- EMC : EN 61000-6-2, EN 61000-6-3, CE mark
- RoHS: Corresponds RoHS Directive 2011/65/EU

## Connection diagram pressure switch



**Mounting kit** with fastening screws, pressure tapping nozzle and 2 m plastic hose (5 x 1.5 mm)

**25305**