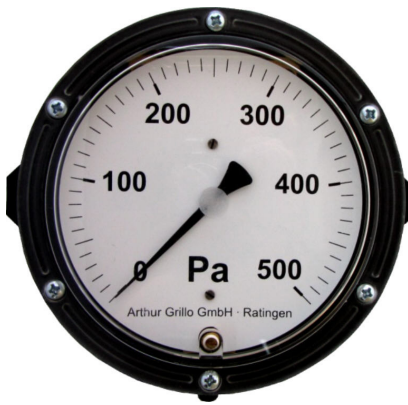


DIFFERENTIAL PRESSURE MANOMETER DA2000



- Diaphragm element
- Smallest measuring range 0...100 Pa
- Wide 270° analog display - scale length ca. 250 mm
- No supply voltage needed
- Scaling in m³/h possible

Manometer with a diaphragm element for indication of pressure, under pressure or differential pressure of non aggressive gas. The Manometer is delivered with accessories for mounting in front or behind a panel or wall installation. Optional are:

- Two limit value pointers red or green
- Manometer with analog output signal
- Combination of indicator and pressure switch fitted in a wall mounting bracket

Overload protection: min. up to 10 times the span
 Static pressure: max. 0.2 bar
 Zero point calibration: Adjustable by REEDcontact, no cyclic zero-point calibration required
 Reaction time: direct

PERFORMANCE:

Zero drift: ± 0.75 %
 Sum of linearity and hysteresis: ± 2 % of measuring range
 Temperature drift zero point: ± 0.3 % / 10 K
 Temperature drift measuring range: ± 0.2 % / 10 K

ACCURACY / ERROR LIMIT:

Operating mode: Measuring mode
 Measuring medium: Air or non-aggressive gases
 Measuring principle: diaphragm measuring system
 Measuring unit: Pa
 Smallest measuring range: 0...100 Pa (1 mbar)
 Largest measuring range: 0...5000 Pa (50 mbar)
 Measuring range: 0...100 Pa (1 mbar), 0...200 Pa (2 mbar), 0...500 Pa (5 mbar), 0...1000 Pa (10 mbar), 0...2000 Pa (20 mbar), 0...5000 Pa (50 mbar)
 Measuring range selection: factory preset
 Ambient temperature: -10...+50 °C
 Storage temperature: -25...+60 °C

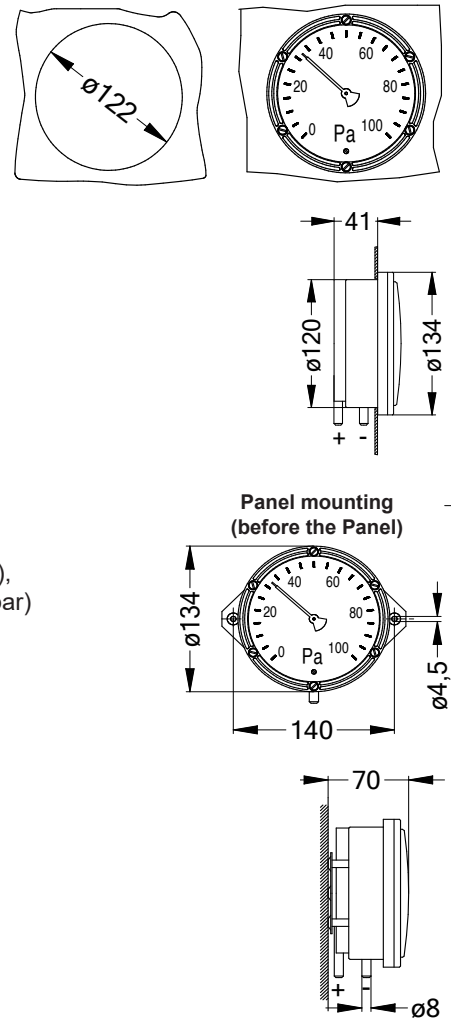
PHYSICALLY:

Housing: ultramid/ABS, black, transparent cover
 Dimensions: round -> outside 134 mm ø
 Weight: approx. 400 g
 Protection class: IP65 according EN 60529
 Display: pointer display with scale
 Scaling: Scale length 270° = ca. 250 mm
 Pressure connections: Hose connections 5 mm ø

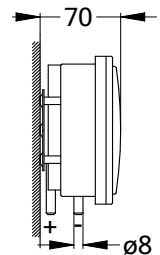
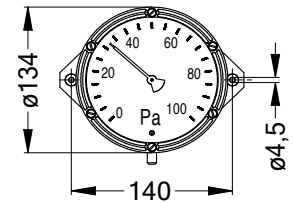
CONFORMITY:

EMC: EN 61000-6-2, EN 61000-6-3, CE-mark
 RoHS: according RoHS-directive 2011/65/EU

Dimensions (mm) - wall construction



Panel mounting
(before the Panel)



Item no.

Differential pressure manometer DA2000

2532

Measurement range: **Customer-specific presetting required!**

Accessories for mounting in front or behind a panel or wall installation.

ACCESSORIES

Mounting set M-DA2000 with screws, metal-pressure taps, sealing and 2 m plastic hose (7 x 1.5 mm)

25304

1. Limit value pointer red or green - **Please choose!**

25301

2. Limit value pointer red or green - **Please choose!**

25302

SURCHARGE

Probe measuring range e.g. -20...0...+80 Pa

25303

Scale in m³/h

25306

Double scale DA2000 (e.g. m³/h and Pa)

25311