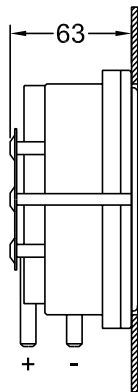
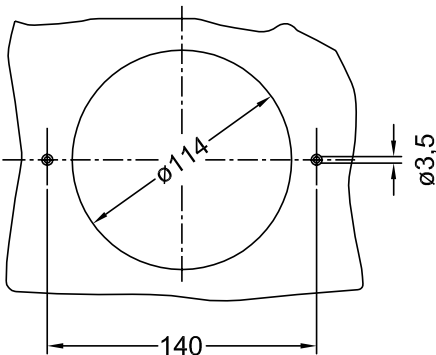
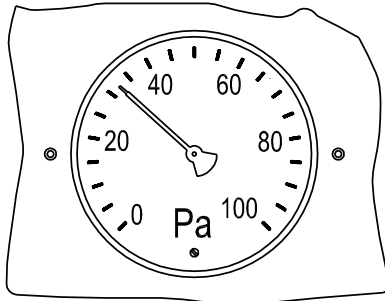




Differential pressure manometer with analog output - DA2000-A

Panel mounting (before the Panel)



## Special features DA2000-A

### PERFORMANCE:

Adjustable by REEDcontact, no cyclic zero-point calibration required, scale fine adjustment via screw

### ACCURACY / ERROR LIMIT:

Nullpunkt-Kalibration:  $\pm 0.75\%$   
 Nullpunktabweichung:  $\pm 2\%$  of measuring range  
 Summe von Linearität und Hysterese:  $\pm 0.3\%$  / 10 K  
 Temperaturdrift Nullpunkt:  $\pm 0.2\%$  / 10 K  
 Temperaturdrift Messspanne:  $\pm 0.2\%$  / 10 K

### TECHNICAL SPECIFICATIONS:

Characteristics: linear or square root

### PHYSICALLY:

Electrical connections: Rectangular connector 16 mm or color coded cable, approx. 50 cm long

### ELECTRONIC:

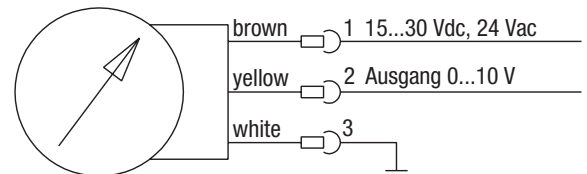
Power supply: two-wire circuit: 12...30 Vdc  
 three-wire circuit: 15...30 Vdc or 24 Vac  
 Output: two-wire circuit: 4...20 mA  
 three-wire circuit: 0...10 V

### CONFORMITY:

EMC: EN 61000-6-2, EN 61000-6-3, CE-mark  
 RoHS: according RoHS-directive 2011/65/EU

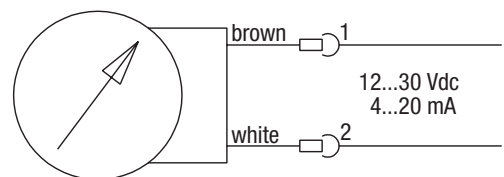
## DA2000-A

### Connections 3-wire technology



## DA2000-A

### Connections 2-wire technology



## Item no.

### Differential pressure manometer with analog output DA2000-A Electrical connection via rectangular connectors

Measurement range: **Customer-specific presetting required!** Output: 0...10 V, 3-wire technology **2533**  
 Measurement range: **Customer-specific presetting required!** Output: 4...20 mA, 2-wire technology **2536**

### Differential pressure manometer with analog output DA2000-A Electrical connection via cable, 50 cm long, colour-coded

Measurement range: **Customer-specific presetting required!** Output: 0...1a0 V, 3-wire technology **2534**  
 Measurement range: **Customer-specific presetting required!** Output: 4...20 mA, 2-wire technology **2537**

## ACCESSORIES

Mounting set M-DA2000 with screws, plastic-pressure taps, 2 m plastic hose (7 x 1.5 mm) **25304**

1. Limit value pointer red or green - **Please choose!** **25301**

2. Limit value pointer red or green - **Please choose!** **25302**

## SURCHARGE

Probe measuring range e.g. -20...0...+80 Pa **25303**

Scale in m<sup>3</sup>/h **25306**

Output square root rad-DA2000 at output 0...10 V and 4...20 mA possible **25307**