

DIFFERENTIAL PRESSURE MANOMETER DA2000-K



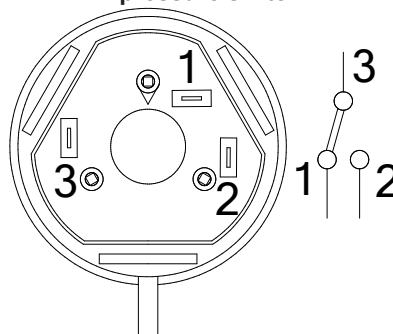
Special features DA2000-K

TECHNICAL SPECIFICATIONS:

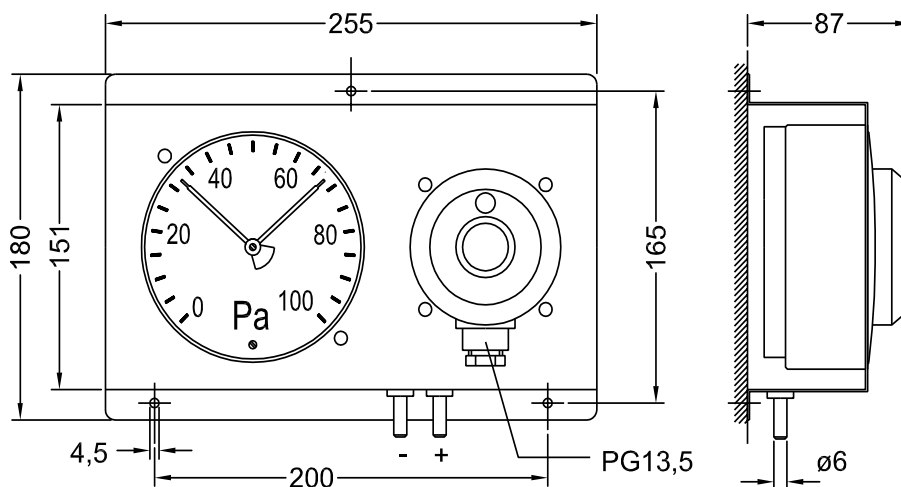
Switching function:	yes
Adjustable switching ranges:	20...300 Pa, 30...400 Pa, 50...500 Pa, 200...1000 Pa, 500...2500 Pa, 1000...5000 Pa
Tolerance on upper and lower Lower switching point:	± 15 %
Switching capacity:	max. 1.5 A / 250 Vac
Setpoint setting:	Poti mit Skala
Limit signal / alarm output:	Über Druckschalter

Differential pressure manometer with pressure switch- DA2000-K

Connections pressure switch



Dimensions (mm) DA2000-K



	Item no.
Differential pressure manometer with pressure switch DA2000-K	2535
Measurement range: Customer-specific presetting required!	
Combination of manometer and pressure switch installed in a wall bracket	
ACCESSORIES	
Mounting set M-DA2000-K with screws, plastic-pressure taps, 2 m plastic hose (5 x 1.5 mm)	25305
1. Limit value pointer red or green - Please choose!	25301
2. Limit value pointer red or green - Please choose!	25302
SURCHARGE	
Probe measuring range e.g. -20...0...+80 Pa	25303
Scale in m ³ /h	25306
Output square root rad-DA2000 at output 0...10 V and 4...20 mA possible	25307