



- Diaphragm element
- Smallest measuring range 0...100 Pa
- Wide 270° analog display - scale length ca. 250 mm
- No supply voltage needed
- Scaling in m3/h possible
- Protection class IP 66
- Analog output 0...10 V or 4...20 mA possible
- Combination with pressure switch available (1.5 A / 250 Vac)

Manometer with diaphragm element for indication of pressure, under pressure or differential pressure of non aggressive gas. The Manometer is delivered with accessories for mounting in front or behind a panel or wall installation.

Optional are:

- Two limit value pointers red or green
- Manometer with analog output signal
- Combination of indicator and pressure switch fitted in a wall mounting bracket

Overload protection: min. up to 10-times the measuring range  
 Static pressure: max. 0.2 bar  
 Zero point calibration: scale fine adjustment via screw  
 Reaction time: direct

**PERFORMANCE:**

Zero drift: ± 0.75 %  
 Sum of linearity and hysteresis: ± 2 % of measuring range  
 Temperature drift zero point: ± 0.3 % / 10 K  
 Temperature drift measuring range: ± 0.2 % / 10 K

**ACCURACY / ERROR LIMIT:**

Operating mode: Measuring mode  
 Measuring medium: Air or non-aggressive gases  
 Measuring principle: diaphragm measuring system  
 Measuring unit: Pa  
 Smallest measuring range: 0...100 Pa (1 mbar)  
 Largest measuring range: 0...5000 Pa (50 mbar)  
 Measuring range: 0...100 Pa (1 mbar), 0...200 Pa (2 mbar), 0...500 Pa (5 mbar), 0...1000 Pa (10 mbar), 0...2000 Pa (20 mbar), 0...5000 Pa (50 mbar)  
 Measuring range selection: factory preset  
 Ambient temperature: -10...+50 °C  
 Storage temperature: -25...+60 °C

**TECHNICAL SPECIFICATIONS:**

Housing: Ultramid/ABS, transparent cover  
 Dimensions: 164 x 194 x 110 mm (w x h x d)  
 Weight: approx. 1460 g  
 Protection class: IP66 according EN 60529  
 Display: pointer display with scale  
 Scaling: Scale length 270° = ca. 250 mm  
 Pressure connections: Hose connections 5 mm ø

**PHYSICALLY:**

EMC: EN 61000-6-2, EN 61000-6-3, CE-mark  
 RoHS: according RoHS-directive 2011/65/EU

**CONFORMITY:**

**Special features DA2000-A**  
 Nullpunkt-Kalibration: Adjustable by REEDcontact, no cyclic zero-point calibration required, scale fine adjustment via screw  
 Characteristics: linear or square root  
 Electrical connections: rectangular connector 16 mm or color coded cable, approx. 50 cm long  
 Power supply: two-wire circuit: 12...30 Vdc / three-wire circuit: 15...30 Vdc or 24 Vac  
 Output: two-wire circuit: 4...20 mA / three-wire circuit: 0...10 V

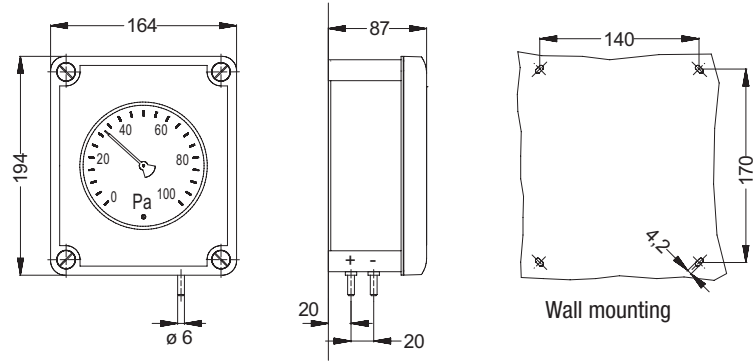
**Special features DA2000-K**

Switching function: yes  
 Adjustable switching ranges: 20...300Pa, 30...400Pa, 50...500Pa, 200...1000Pa, 500...2500Pa, 1000...5000Pa  
 Tolerance on upper and lower switching point: ± 15 %  
 Switching capacity: max. 1.5 A / 250 Vac  
 Setpoint setting: Poti with scale  
 Limit signal / alarm output: via pressure switch

# DIFFERENTIAL PRESSURE MANOMETER DA2000-S / DA2000-K-S / DA2000-A-S



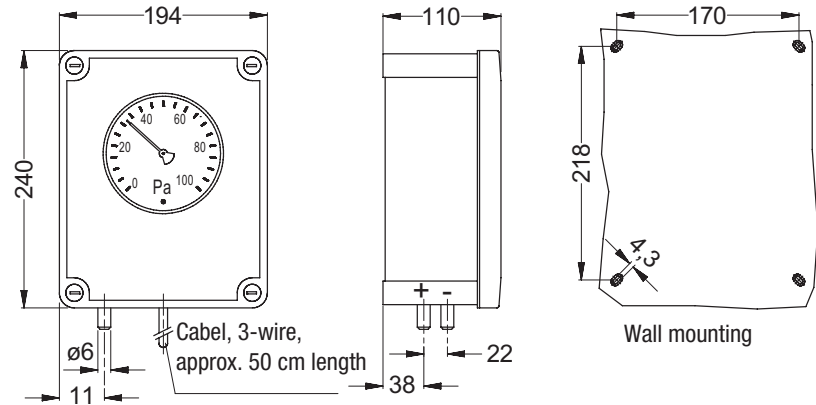
Dimensions (mm) DA2000-S



DA2000-A-S



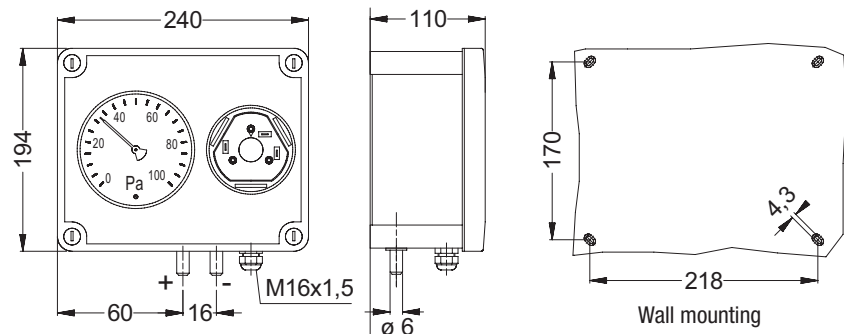
Dimensions (mm) DA2000-A-S



DA2000-K-S



Dimensions (mm) DA2000-K-S



	Item no.
Differential pressure manometer DA2000-S	25308
Measurement range: <b>Customer-specific presetting required!</b>	
Differential pressure manometer DA2000-K-S	25309
Measurement range: <b>Customer-specific presetting required!</b>	
Differential pressure manometer DA2000-A-S	25310
Measurement range: <b>Customer-specific presetting required!</b>	
<b>ACCESSORIES</b>	
Mounting set M-DA2000 with screws, plastic-pressure taps, 2 m plastic hose (5 x 1.5 mm)	25305
1. Limit value pointer red or green - <b>Please choose!</b>	25301
2. Limit value pointer red or green - <b>Please choose!</b>	25302
<b>SURCHARGE</b>	
Special measuring range e.g. -20...0...+80 Pa	25303
Scale in m <sup>3</sup> /h	25306
Output square root rad-DA2000 at output 0...10 V and 4...20 mA possible	25307
Double scale DA2000 (m <sup>3</sup> /h and Pa) possible	25311