



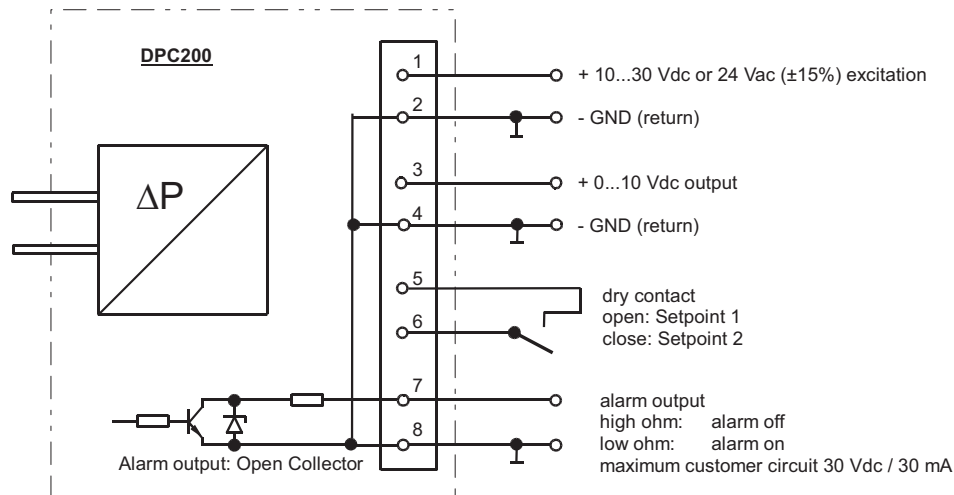
- ❑ Electromechanical diaphragm measuring system
- ❑ Measuring range from 0...50 Pa (0.5 mbar) up to 0...6000 Pa (60 mbar)
- ❑ Alphanumeric LCD-display
- ❑ Analog output 0...10 V
- ❑ Selectable measurements (differential pressure or volume flow)
- ❑ Selectable units (metric or imperial)
- ❑ Adjustable k-factor for volume flow calculation
- ❑ Controlling mode or measuring mode selectable
- ❑ Measuring and controlling mode with adjustable limit value
- ❑ Control mode with adjustable:
 - 2 setpoints
 - PI parameters for PI algorithm
 - maximum output voltage
 - minimum output voltage
- ❑ Supply voltage 10...30 Vdc; 24 Vac (+/-15%)
- ❑ Compact plastic housing IP65 according to DIN EN 60529/VDE 0470 Part 1: 2014
- ❑ Selectable characteristic curve: linear/square root

The DPC200 are electromechanical differential pressure / volume flow controllers with a diaphragm measuring system and a comprehensive evaluation software. They are used to measure and control the smallest differential pressures of non-aggressive gases, in particular of air.

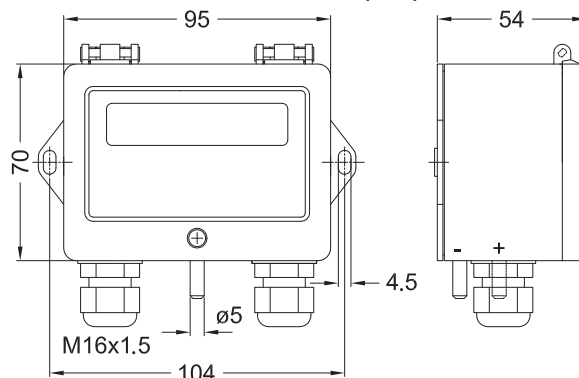
Their optimal application area can be found in the field of HVAC technology for controlling fans, room pressure monitoring or filter control. The devices allow controlling of air flow or keeping up a constant pressure in a closed environment.

The device provides a 0...10 V output signal with selectable characteristic curve (linear / square root). In the case of the pressure or volume flow control, the output signal is the actuating variable of the PI control. In addition to the analog output, an additional alarm output (open collector, max. 30 V / 30 mA or relay 250 Vac / 10 A) is available for limit monitoring or filter monitoring

Connection diagram



Dimensions (mm)



DIFFERENTIAL PRESSURE / VOLUME FLOW CONTROLLER DPC200

Overpressure protection:	0.2 bar
Static pressure:	max. 0.2 bar
Zero point calibration:	Within device software menu, no cyclic zero-point calibration required
Reaction time:	direct
PERFORMANCE:	
Zero drift:	± 0.75 %
Sum of linearity and hysteresis:	± 0.5 % ... ± 1 %
Temperature drift zero point:	± 0.3 % / 10 K
Temperature drift measuring range:	± 0.2 % / 10 K
ACCURACY / ERROR LIMIT:	
TECHNICAL SPECIFICATIONS:	
Operating mode:	Measuring mode or control mode
Measuring medium:	Air or non-aggressive gases
Measuring principle:	Electromechanical diaphragm measuring system
Measuring unit:	Pa / inH ₂ O or m ³ /h or cfm
Smallest measuring range:	0...50 Pa (0.5 mbar)
Largest measuring range:	0...6000 Pa (60 mbar)
Measuring range:	0...50 Pa (0.5 mbar), 0...100 Pa (1 mbar), 0...200 Pa (2 mbar), 0...500 Pa (5 mbar), 0...1000 Pa (10 mbar), 0...2000 Pa (20 mbar), 0...4000 Pa (40 mbar), 0...6000 Pa (60 mbar)
Measuring range selection:	Factory preset
Adjustable controlling parameters:	P/I - parameter, k-factor, maximum output voltage, minimum output voltage, normal/ inverse control
Characteristic:	selectable characteristic curve in measuring mode: linear/square root
Ambient temperature:	-20...+60 °C
Storage temperature:	-30...+70 °C
Control characteristic:	PI - algorithm
Setpoint settings:	2 setpoints can be set via keys, selection of setpoints via potential free contact
Limit signal Output / alarm output:	Open Collector, max. 30 V / 30 mA
Alarm delay time:	1...60 seconds or 2...15 minutes
PHYSICALLY:	
Housing:	UL 94 HB; Ultramid with hinged lid of ABS, UV stabilized
Dimensions:	95 x 70 x 54 mm (w x h x d)
Weight:	approx. 250 g
Protection class:	IP65 according to DIN EN 60529/VDE 0470 Part 1: 2014
Display:	Two-line alphanumeric LCD display, 2 x 16 characters
Electrical connections:	Cable entry M16x1.5, screw terminals, electronics protected against incorrect polarity
Pressure connections:	Hose connections 5 mm ø and 6 mm ø
Operational position:	Vertical, position dependence when rotated through 90 ° approx. 25 Pa
ELECTRONIC:	
Power supply:	10...30 Vdc; 24 Vac (±10%)
Power consumption:	approx. 8 mA @ 10 Vdc, ca. 10 mA @ 24 Vdc
Output:	0...10 V @ 10 Vdc: I _{max} = 0,5 mA / R _{min} = 20 kΩ @ 24 Vdc: I _{max} = 2,0 mA / R _{min} = 5 kΩ
CONFORMITY:	
EMC:	EN 61000-6-2, EN 61000-6-3, CE-mark
RoHS:	According RoHS-directive 2011/65/EU

Item no.

Differential pressure controller DPC200

2566

Supply voltage 10...30 Vdc; 24 Vac (±15%)

Output: 0...10V, **Measuring range (Pa): Customer specific presetting required!**

ACCESSORIES

Mounting set M-DS with screws, bleeders and 2m plastic tube (4 x 1.5 mm)

25110