



- Resistance element Pt100 class A DIN EN 60751
- 4 calibrated measuring ranges selectable via DIP-Switch
- Double-wall sensor tube as weather protection
- Analog output 4...20 mA
- Plastic housing ABS, protection class IP 65

The series MTA90-P is designed for temperature measurement in moist environments or outdoors. The case has IP 65 protection, the sensor tube is double walled as rain and run-radiation protection. Electronics running in microcontroller technology with 4 calibrated measuring ranges that can be selected via DIP switches.

Measurement tolerance: < 0,25 % ± 0,15 °C  
Long-term stability: Max. R0-Drift 0,05 % / year

**TECHNICAL SPECIFICATIONS:**  
Operating mode: Measuring mode  
Measuring medium: Temperature  
Measuring principle: Pt100 class A according DIN EN 60751  
Measuring unit: °C  
Max. temperature: Max. 60 °C  
Measuring ranges: -30...0...+40 °C or -20...0...+60 °C  
Ambient temperature: -10...+70 °C

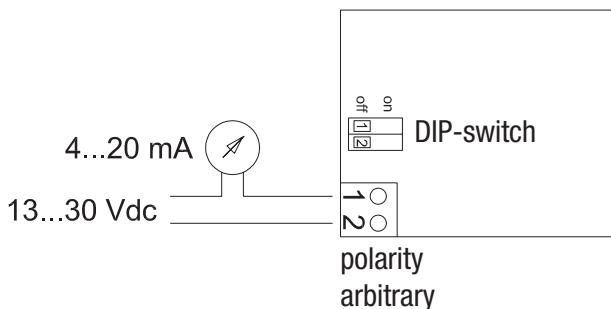
**PHYSICALLY:**  
Protective tube: 9 mm stainless steel, w. 1.4571  
Connection head: Plastic ABS, light gray  
Protection class: IP 65 according to EN 60529  
Electrical connection: Two-wire, three-wire technology  
Weight: Approx. 200 g

**ELECTRONIC:**  
Output: 13 ... 30 Vdc, any polarity or 24 Vdc or 24 Vac, ± 25%  
Supply voltage: 0...10 V or 4...20 mA

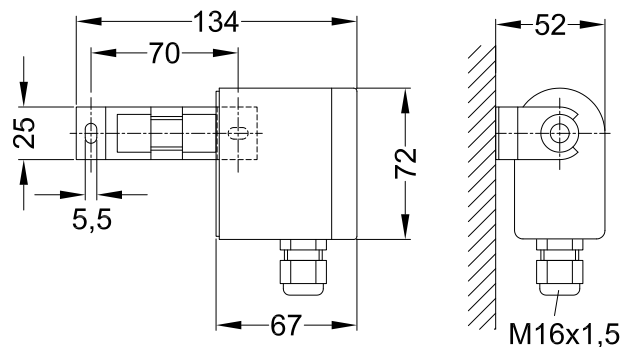
**CONFORMITY:**  
EMC: EN 61000-6-2, EN 61000-6-3, CE-mark  
RoHS: according RoHS-directive 2011/65/EU

Measurement range	DIP 1	DIP 2
Solution 0.1 °C		
1. -30...0...+70 °C	off	off
2. -30...0...+40 °C	on	off
3. -20...0...+60 °C	off	on
4. 0...+50 °C	on	on

Connections - 2-wire technology



Dimensions (mm)



Item no.

Outdoor temperature transmitter MTA 90-P

2-wire technology, output: 4...20 mA,  
Temperature measuring outdoors or in moist environments, 4 selectable ranges

**Measurement range: Customer-specific presetting required!**

7131