

LOW PRESSURE TRANSMITTER PERITACT 2000-K



- Diaphragm element
- Smallest measuring range 0...50 Pa
- Backlit LCD display with 4 lines of 20 characters
- Analog output 0...10 V and 4...20 mA
- 2 switching output signals potential free
- Switching function min. or max.
- Supply voltage 230 Vac, 24 Vac or 24 Vdc
- Protection class IP 65

Manometer with diaphragm element for indication of pressure, under pressure or differential pressure of non aggressive gas. Also for air flow measurement according to the Differential Pressure or dynamic pressure method with square-root characteristic.

PERFORMANCE:

Overload protection: min. up to 10-times the measuring range
Static pressure: max. 0.2 bar

ACCURACY / ERROR LIMIT:

Zero drift: $\pm 0.75\%$
Sum of linearity and hysteresis: $\pm 1\%$ of measuring range
Temperature drift zero point: $\pm 0.3\%$ / 10 K
Temperature drift measuring range: $\pm 0.2\%$ / 10 K

TECHNICAL SPECIFICATIONS:

Operating mode: Measuring mode with limit contacts
Measuring medium: Air or non-aggressive gases
Measuring principle: diaphragm measuring system
Measuring unit: Pa
Smallest measuring range: 0...50 Pa (0.5 mbar)
Largest measuring range: 0...10000 Pa (100 mbar)
Measuring range: 0...50 Pa, 0...100 Pa, 0...200 Pa, 0...400 Pa, 0...500 Pa, 0...1000 Pa, 0...2000 Pa, 0...4000 Pa, 0...5000 Pa, 0...6000 Pa, 0...10000 Pa
Measuring range selection: factory preset
Damping: pressure - linear, volume - square rooted
Ambient temperature: -10...+50 °C
Storage temperature: -25...+60 °C
Switching function: min. or max. for each contact
Adjustable switching ranges: 0 ... 100% measuring range
Switching outputs: 2 potential-free change-over contacts
Switching delay: adjustable 0 ... 20 s
Contact load: 250 Vac, 8 A induction-free load

PHYSICALLY:

Housing: Ultramid/ABS, black / grey
Dimensions: 122 x 120 x 85 mm (wxhxd)
Weight: approx. 900 g
Protection class: IP65 according EN 60529
Display: Illuminated LCD display - 4 lines, 20 characters
Electrical connections: Screw terminals, cable entry: 3 x M16 x 1.5
Pressure connections: Hose connections 8 mm \varnothing

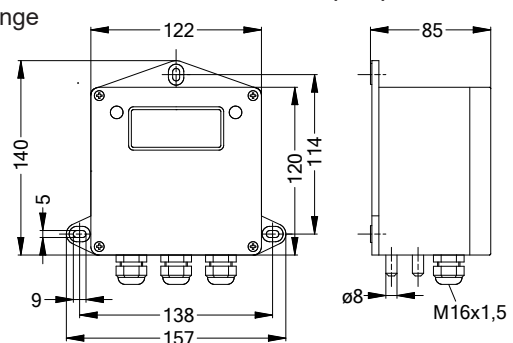
ELECTRONIC:

Power supply: 230 Vac, 24 Vac or 24 Vdc
Power consumption: approx. 1.5 VA
Output: 0...10 V and 0...20 mA via DIP switch switchable to 4...20 mA

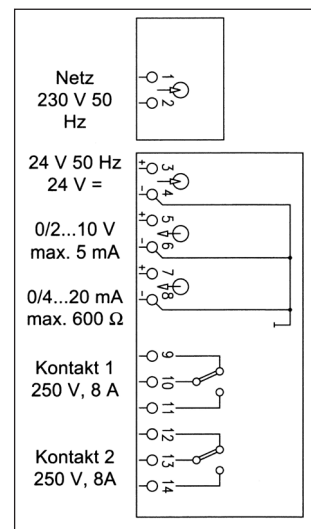
CONFORMITY:

EMC: EN 61000-6-2, EN 61000-6-3, CE-mark
RoHS: according RoHS-directive 2011/65/EU

Dimensions (mm)



Connection diagram



Item no.

Low pressure transmitter Peritact 2000-K

2480

Measurement range & signal output: **Customer-specific presetting required!**

Output: 0/2...10 V and 0/4...20 mA, 2 changeover contacts 250 Vac, 8 A non-inductive
Supply voltage: 230 Vac, 24 Vac or 24 Vdc

ACCESSORIES

Mounting set with screws, plastic-pressure taps, 2 m plastic hose (7 x 1.5 mm)	24602
Assembly frame for panel mounting incl. all mounting hardware	24605
Test certificate	24603

SURCHARGE

Special measuring range e.g. -20...0...+80 Pa	24601
---	-------