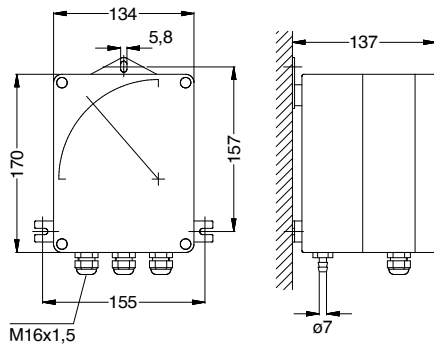


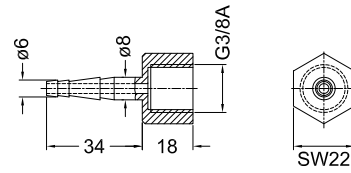
DIFFERENTIAL PRESSURE GAUGE PERITACT 80



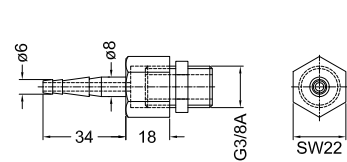
Dimensions (mm)



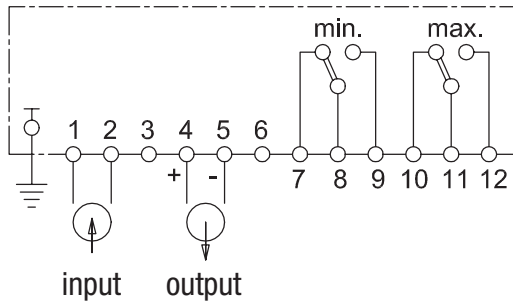
Asi-P 80



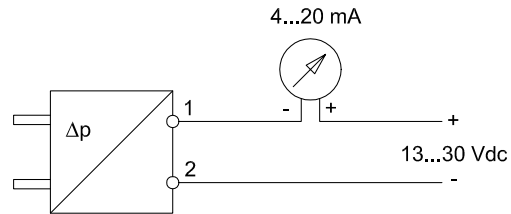
Asa-P 80



Connections



Connections 2-wire technology



	Item no.
Differential pressure gauge PERITACT 80	2415
Wall mount device Measurement range: Customer-specific presetting required!	
Differential pressure gauge PERITACT 80 with min. and max. contacts	2425
Supply voltage 230 Vac or 24 Vac or 24 Vdc, wall mount device Measurement range & supply Voltage: Customer-specific presetting required!	
Differential pressure gauge PERITACT 80 with electrical output signal	2435
0/4...20 mA or 0...10 V, supply voltage 230 Vac or 24 Vac, wall mount device Measurement range & signal output: Customer-specific presetting required!	
Differential pressure gauge PERITACT 80 with electrical output signal and min. / max. contacts	2445
0/4...20 mA or 0...10 V; supply voltage 230 Vac or 24 Vac or 24 Vdc, wall mount device Measurement range & supply voltage & signal output: Customer-specific presetting required!	
2-wire technology MZP 80	7320
Output 4...20 mA, supply voltage 13...30 Vdc, wall mount device Measurement range: Customer-specific presetting required!	
ACCESSORIES	
Mounting set P80 with screws, plastic-pressure taps, 2 m plastic hose (7 x 1.5 mm)	24003
Plastic hose 7 x 1.5 mm	24004
Damping throttle for installation in a hose	24005
Connecting piece Asi-P 80 , internal thread R 3/8"	24006
Connecting piece Asa-P 80 , external thread R 3/8"	24008
SURCHARGE	
Special measuring range as far as possible	24007

PRESSURE
date: March 2024