

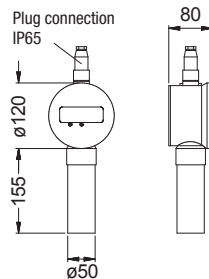
MEASURING INDICATOR *flora II* for climate monitoring



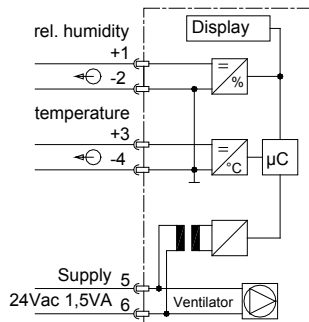
- Temperature and relative humidity supervision
- Ventilated single-chip-sensor with digital analysis
- Exchange of the sensor without re-calibration
- Best rain- and radiation protection
- Output signals for temperature, relative humidity
- Large, wide visible 20 mm LED-indicator
- Short response time

The measuring indicator *flora II* with digital display for continuous monitoring and remote monitoring of temperature and relative humidity. The output signals of the measured variables are 0...10 V or 0/4...20 mA. A built-in fan ensures continuous supply of fresh air, a double-walled pipe ensures effective protection and rain-radiation protection.

Dimensions (mm)



Connections



TECHNICAL SPECIFICATIONS:

Operating mode: Measuring mode
 Measuring medium: Temperature and humidity
 Sensor: Single-Chip-sensor
 Measuring unit: Temperature in °C; relative humidity in %

TEMPERATURE FEATURES:

Response time: Approx. 20 seconds (63 %-time)
 Tolerance: $\pm 0,5$ °C at 25 °C, $\pm 1,5$ °C bei -30 °C and +100 °C, narrower tolerance possible
 Measuring ranges: -30...0...+70 °C, 0...100 °C, 0...50 °C
 Measuring range selection: Factory preset

HUMIDITY FEATURES:

Response time: Approx. 4 seconds (63 %-time)
 Tolerance: ± 3 % r.h. in the area 30...70 % r.h.;
 ± 5 % r.h. in the area 0...30 and 70...100 % r.h., narrower tolerance (± 2 %, ± 4 %) possible
 Measuring ranges: 0...100 % relative humidity

PHYSICALLY:

Housing: Double-walled white plastic pipe (PP), 50 mm ϕ with attached electronics housing 120 mm ϕ , built-in fan
 Dimensions: See data sheet
 Display: Red 4-digit LED display, digit height 20 mm, Automatic switching to the measured values every 3 seconds
 Protection class: IP 65 according to EN 60529
 Electrical connection: Water protected connector
 Weight: Approx. 600 g

ELECTRONIC:

Power supply: 24 Vac
 Power consumption: Approx. 1,5 VA
 Output Current: 0...10 V or 0/4...20 mA

CONFORMITY:

EMC: EN 61000-6-2, EN 61000-6-3, CE-mark
 RoHS: according RoHS-directive 2011/65/EU

Application

For a profitable breeding of plants, besides of plants specific fertilizing and best solarization, especially the climate of the ambient air is of great importance. First of all climate means here air temperature and relative humidity. The measuring device Flora II got developed for the correct inclusion of those climate values under the circumstances as one can find especially in greenhouses. This measuring device gets hanged directly over the plant beds.

Description

A single-chip sensor for temperature and relative humidity is arranged inside a double-walled protective tube. A built-in protective tube above this fan continuously over the air to be measured at the sensor. This arrangement ensures optimum rainfall and radiation protection, which is the white version of the device additionally improved. A large, highly visible LED digital display shows a change of approx. 3 seconds consecutively temperature and relative humidity on. For controlling the air conditioner output signal of 0...10 V or 0/4...20 mA are measured for both sizes. The supply to the traffic light is measured with 24 Vac. Using a plug-in device, the device is easy to put into operation, is still the single-chip sensor also pluggable and can be easily re-placed without having to recalibrate the measurement of traffic lights.

Item
no.

Measuring indicator *flora II*

7280

For display and remote temperature and relative humidity on transmission with built-in digital display

Measurement range: Customer-specific presetting required!

Output: Customer-specific presetting required!

Rel. humidity: 0...100 % r.h., supply voltage: 24 Vac