

- Limit switch for monitoring unit signals
- Two adjustable limit values (floating)
- Switching function min. or max.
- Potentiometer with scale 0...100%
- Hysteresis and time delay is adjustable
- Inputs 0/0, 2...1 V, 0/2...10 V, 0/4...20 mA
- Supply voltage 18...30 Vdc unregulated
- Supply voltage 230 Vac/115 Vac or 24 Vac or 24 Vdc
- Plastic housing for mounting on a 35 mm standard mounting DIN-rail according to EN 50022

Serves for controlling measuring values which are represented as electrical currents. A potential-free contact is switched when the corresponding presetted nominal value either is fallen short (min.-function) or is exceeded (max. function). Hysteresis and time delay are adjustable inside the unit by trimmers.

**ACCURACY / ERROR LIMIT:**

Temperature drift:  $\pm 0,2 \% / 10 \text{ K}$

**TECHNICAL SPECIFICATIONS:**

Entrance: 0 / 0.2 ... 1 V, 0/2 ... 10 V, 0/4 ... 20 mA  
 Supply voltage: Approx. 18 ... 23 Vdc, unstabilized  
 Setpoint setting: Poti with scale 0 ... 100%  
 Hysteresis: Adjustable in the device from 0.25 ... 5%  
 Time Delay: Adjustable in the device from 0 ... 7 s  
 Switching function: Min. Or max. (Adjustable in the device)  
 Contact output: Potential-free NO contact max. 250 Vac, 8 A  
 Resolution of the scales: Approx. 5%

**PHYSICAL:**

Display: Operating indicator green  
 Casing: Polyamide gray, for mounting on a 35 mm standard profile rail according to EN 50022  
 Dimensions: 22.5 x 99 x 110 mm (WxHxD)  
 Protection class: IP 20 according to EN 60529  
 Connections: Screw terminals up to 2.5 mm<sup>2</sup>  
 Ambient temperature: -10 to 50 °C  
 Rel. humidity: 0 ... 85%, no condensation  
 Weight: Approx. 160 g

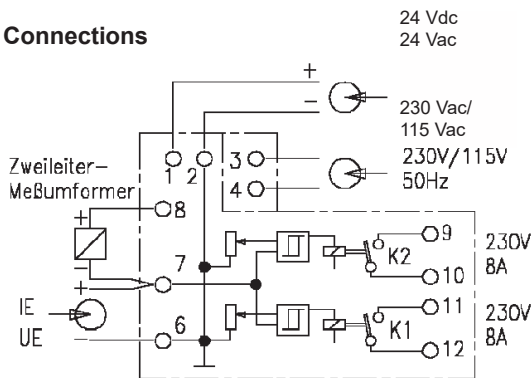
**ELECTRONIC:**

Power supply: 230 Vac / 115 Vac  
 Power consumption: Approx. 1.5 VA  
 Test sockets: 2 mm  $\varnothing$  for measuring the output current, internal resistance of the current meter max. 10  $\Omega$   
 Voltage output: 0 ... 10 V, short circuit proof, max. 5 mA  
 Current output: 0/4 ... 20 mA, max. Load 600  $\Omega$   
 Max. Output current: Approx. 30 mA with short circuit

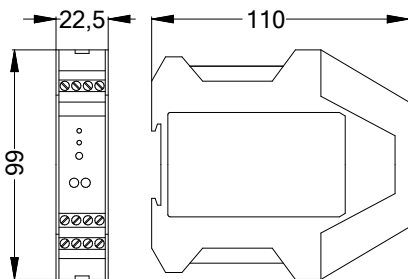
**CONFORMITY:**

EMC: EN 61000-6-2, EN 61000-6-3, CE-mark  
 RoHS: according to RoHS-directive 2011/65/EU

**Connections**



**Dimensions (mm)**



Item no.

Limit switch GS225

5592

Input: **Customer-specific presetting required!**  
 Output: two potential-free contact, 250 Vac, 8 A  
 Function switch 1: **Customer-specific presetting required!**  
 Function switch 2: **Customer-specific presetting required!**  
 Line voltage: 230/115 Vac, 24 Vac or 24 Vdc **Customer-specific presetting required!**