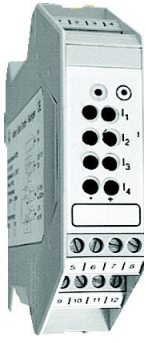


MULTIPLE FEEDER SP225

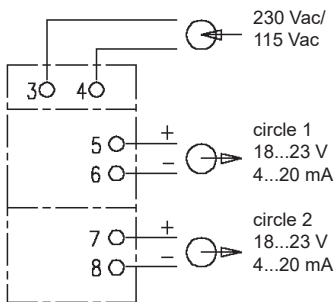


- ❑ Multiple power supply units for supplying up to 4 two-wire transmitters
- ❑ Plastic housing for mounting on 35 mm standard profile rail according to EN 50022

For supplying up to 4 two-wire transmitters with a DC voltage of approx. 18 Vdc, with signal currents of 4...20 mA. The individual circuits are galvanically isolated from each other and electronically protected against short circuits.

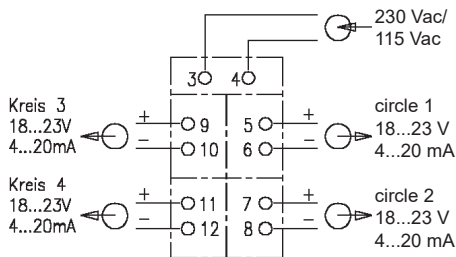
Wiring diagram

2-gang power supply unit SP225-2

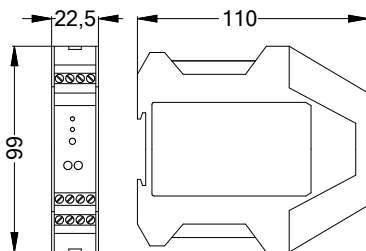


Wiring diagram

4-gang power supply unit SP225-4



Dimensions serie 225



TECHNICAL SPECIFICATIONS:

Supply voltage: approx. 18...23 Vdc, unstabilized
Ripple: approx. 0.5 Vpp at 20 mA
Signal current: 2 x 4...20 mA, or 4 x 4...20 mA

PHYSICAL:

Display: Operating indicator green
Housing: Polyamide gray, for mounting on 35 mm standard profile rail according to EN 50022
Dimensions: 22.5 x 99 x 110 mm (WxHxD)
Protection class: IP 20 to EN 60529
Connections: Screw terminals up to 2.5 mm²
Ambient temperature: -10...50 °C
rel. humidity: 0...85 %, no condensation
Weight: approx. 160 g

ELECTRONIC:

Supply voltage: 230 Vac/115 Vac
Power consumption: approx. 1.5 VA
Test sockets: 2 mm ø for measuring the output current, internal resistance of the ammeter max. 10 Ω
Voltage output: 0...10 V, short-circuit proof, max. 5 mA
Current output: 0/4...20 mA, max. load 600 Ω
Max. output current: approx. 30 mA with short circuit

CONFORMITY:

EMC: EN 61000-6-2, EN 61000-6-3, CE mark
RoHS: Complies with RoHS Directive 2011/65/EU

Art. Nr.

Multiple feeder

Supply voltage 2 x 18 Vdc or 4 x 18 Vdc, unstabilized
Signal current 2 x 4...20 mA or 4 x 4...20 mA
Supply voltage: 230 Vac/115 Vac

2-gang power supply unit SP225-2

7511

4-gang power supply unit SP225-4

7512

AUFPREIS

Supply voltage 24 Vac

75001