

Circular orifice plates are used for measuring the flow rate of gases. They are installed in the pipeline between flanges with smooth sealing surfaces. The pressure sampling ports are mounted on the pipeline at a distance D upstream of the orifice plate (positive pressure sampling) and $D/2$ downstream (negative pressure sampling).

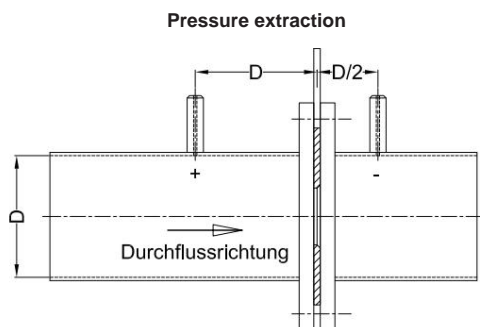
The calculation of the plug-in orifices is carried out according to DIN EN ISO 5167.

TECHNICAL SPECIFICATIONS:

Operating mode:	Effective pressure transmitter
Measuring medium:	Liquids, gases and vapors
Measuring instrument:	Measuring aperture
Unit of measurement:	Volume flow
Max. temperature:	300 °C

PHYSICALLY:

Materials:	Steel St.37
Construction:	Form G according to DIN 19206 For installation between flanges according to DIN,
Type of seal:	smooth on both sides, form C
Length:	G1/2A, 100 mm long, steel St35.8
Maximum effective pressure:	1000 mbar



type	Nominal diameter	thickness of disc mm	Weight approx. kg	Item No.
Material: Steel St.37. Max. temperature: 300 °C				
MBT100	DN100	4	0.6	6410
MBT125	DN125	4	0.8	6411
MBT150	DN150	4	1.0	6412
MBT200	DN200	4	1.8	6413
MBT250	DN250	4	2.6	6414
MBT300	DN300	4	3.4	6415
MBT350	DN350	4	4.4	6416
MBT400	DN400	4	5.0	6417
MBT500	DN500	6	10.0	6418
MBT600	DN600	6	14.0	6419
MBT700	DN700	8	18.0	6420
MBT800	DN800	8	23.0	6421
MBT900	DN900	8	38.0	6422
Material: Stainless steel CrNiTi180				
Material no. 1.4541, max. temperature 300 °C				
MBT100	DN100	4	0.6	6430
MBT125	DN125	4	0.8	6431
MBT150	DN150	4	1.0	6432
MBT200	DN200	4	1.8	6433
MBT250	DN250	4	2.6	6434
MBT300	DN300	4	3.4	6435
MBT350	DN350	4	4.4	6436
MBT400	DN400	4	5.0	6437
MBT500	DN500	6	10.0	6438
MBT600	DN600	6	14.0	6439
MBT700	DN700	8	18.0	6440
ACCESORIES				

Weld-on fitting, steel pipe, G1/2A, 150 mm long

64001