

# Digital Electronic Process unit Type **AED1012-C**

for digital + analogue – INFRARED – PYROMETER

**PID**-controller



- **PID**-controller with set value manual – external
- **Touchpanel** multilingual
- ultra-fast sampling rate 50µsec
- Temperature display 6-digit °C / °F
- automatical scaling with digital pyrometer
- Parameter setting of pyrometer without PC
- digital pyrometer-interface RS232 or RS485
- USB 2.0 for PC-connection
- 2 separate adjustable switching-output with opto relais
- power supply 80-305 VAC
- voltage supply for pyrometer

Infrared – pyrometer can also assist you to monitor your heating processes, ensuring a uniform standard of quality for your products.

leaflet AED1012-C

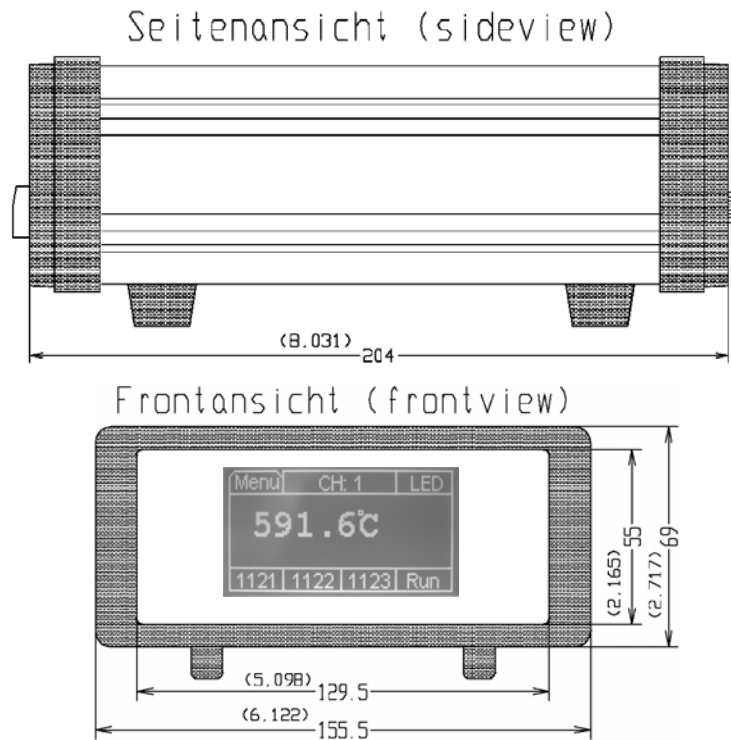
**Dr. Georg Maurer GmbH**  
-Optoelektronik-

**GRUBATEC**



MESS- UND REGELTECHNIK

Grubatec AG  
Wölferstrasse 5  
4414 Füllinsdorf  
Telefon: +41 (0)55 617 00 80  
Telefax: +41 (0)55 617 00 81  
[www.grubatec.ch](http://www.grubatec.ch)  
[sales@grubatec.ch](mailto:sales@grubatec.ch)

**Dimensions:**

The AED1012-C is free programmable either by using the touchpanel or also with software IR-LOG. All digital pyrometer are directly full configurable without PC

**Technical data:**

Pyrometer interface	: RS232 reversible RS485
Computer interface	: USB 2.0
Input actual value	: current loop pyrometer (0-20 mA or 4-20 mA / input impedance 20R)
Temperature indication	: 6- digit programmable, adjustable display rate 100ms – 10sec.
Sampling time	: 50µsec
PID Parameter	: xp:1-1000%, ti:0,1-9999ms, td: 0,1-9999ms, P: 0-100%
Set value	: manual or external 0–10 V or 2-10 V
Controller output	: 0 (4) – 20mA + 0 – 10 V
Measuring range	: scaleable from -50°C up to 4000 °C for analogue pyrometer
Measuring range	: automatical scaling for digital pyrometer
Switching outputs	: setpoints adjustable within measuring range : 2 x optorelais (option: 4) with changeover contacts each 60 VAC / 100mA : 1 x optorelais pyrometer limit
Switching hysteresis	: adjustable between 0-50°C
Response time	: 2ms
Operating temperature	: 0 - 60 °C
Stock temperature	: -10 °C - +70°C
Mains supply	: 80-305 V AC
Current input	: max. 250mA / AC
Power supply pyrometer	: + 24V / 300 mA (D-SUB)
Signal outputs	: through screw terminal
Weight	: 1,3 kg
Case colour	: frame RAL 7030, lid + U-profiles RAL 7032

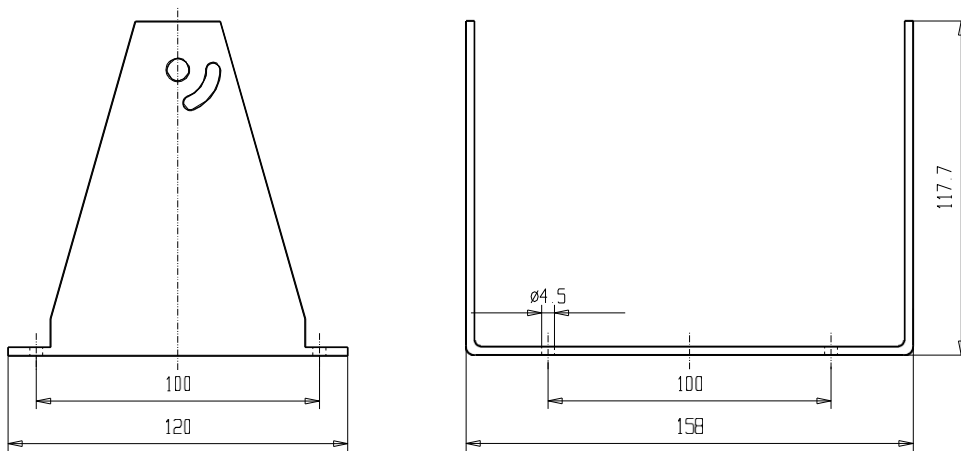
**Options:**

- PROFIBUS, PROFINET, Ethernet
- datalogger with real-time clock
- 2. pyrometer connection through RS232
- fixing angle for panel-installation
- additional current output 0(4)-20mA
- connection facility: up to 6 pyrometer through RS485
- unit holder (for mounting at a wall, ceiling, swing panel)

# Assembly for electronic process unit - type AE10XX

## 1. case stator

- **Description** : stator with powder coated 3-mm-aluminium plate (RAL7032, grey) .  
mounting in the slots beside the unit.  
45 °- swinging of the unit around the horizontal axis is possible .
- **Application** : For mounting at a wall, ceiling, swinging arm, .....  
With rubber feets also for a table use suitable .
- **Dimensions**:



## 2. Mounting angle for switchboard installation

- **Description** : 2 mounting angles of 3mm aluminium plate .  
Put in the angles in the slots beside the unit case .  
positioning and fixing with 2 screws M4 x 6 .
- **Application** : With angles it is possible to install the unit in switchboards,...
- **Dimensions** :

